



Adjustable timing as a percentage of overall cycle... ideal for heat control, machine lubrication, etc.



6

ELECTRIC
TIMERS

The HQ9 offers accurate, efficient control for many industrial applications. These include motion control, electric heaters, ovens, program temperature controls, chemical feeding, and lubrication systems.

- Electrically isolated pilot light
- Cycle progress pointer
- Compatible with CYCL-FLEX® series featuring unique plug-in mounting

OPERATION

A synchronous motor driven cam closes a snap action switch for a percentage of the total time cycle. Settings may be made or changed with the timer operating. Relationship of switch transfer point at zero and desired interval is made by adjustment of the setting pointer. As the progress pointer passes zero, the load switch transfers. The HQ9 continues to operate as a repeat cycle timer as long as power is supplied to the motor. ON time is adjustable from 5% to 100% of the total time range. Load connections are made to terminals 4 and 3.

SPECIFICATIONS

Time Ranges:

Sym.	Time Range
01	15 Sec.
02	30 Sec.
03	60 Sec.
04	120 Sec.
06	5 Min.
07	10 Min.
08	15 Min.
09	30 Min.
10	60 Min.
11	120 Min.
14	20 Hr.

Voltage/Frequency: 120V (+10, -15%), 50/60 Hz
240V (+10, -15%), 50/60 Hz

Contact Rating: 10 amps at 120/240 VAC
1/3 HP at 125/250 VAC
1/2 amp at 125 VDC
1/4 amp at 250 VDC

Setability: ±1%

Timer Burden: 4 VA max.

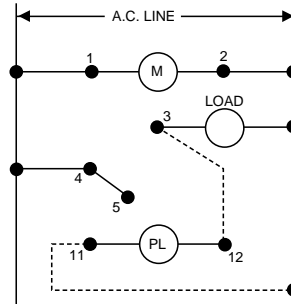
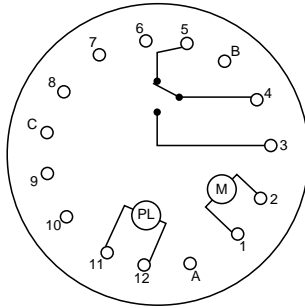
Temperature Range: -10° to 140°F (-23° to +60°C)

Agency Approvals: UL Recognition E61735
CSA Certification LR26861

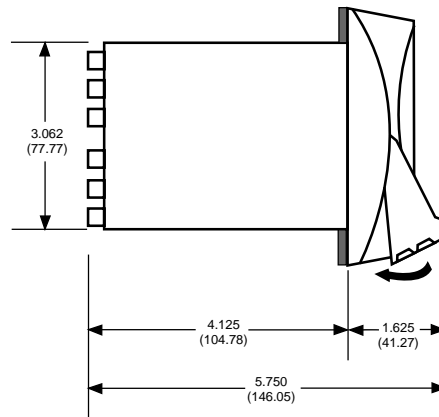
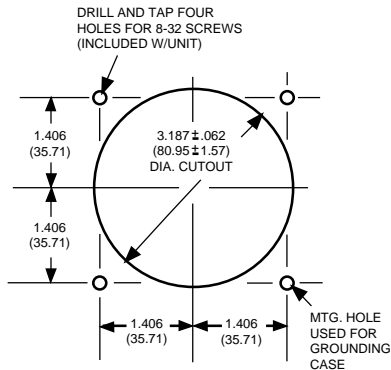
NOTE: Because of precise adjustment and calibration procedures, it is recommended that all repair or part replacement be done at the factory.

WIRING

Standard CW dial references the operation of the load when connected to terminal number 3. ON Time adjustable 5% to 100%.



MOUNTING



6
ELECTRIC
T I M E R S

ENCLOSURES

Model No.	NEMA Class	Description
HN308	1	Surface Mtg. with terminal block
HN364	1	Surface Mtg. without terminal block
HN370	1A	Dual unit cabinet less unit cases and toggle switch, with 9 terminal block

ACCESSORIES

Model No.	Description
H-5331	Mounting Brackets 2 req'd per timer
HP50-31	One Hole Mounting Ring
HP50-133	Surface Mounting Adapter to use in place of brackets
HQ900-71	Dial Lock

ORDERING INFORMATION

Consult Customer Service for availability of other time ranges, voltages, and frequencies.

HQ9 **06** **A6** **02**

Sym.	Description	Sym.	Description
01	15 Sec.	08	15 Min.
02	30 Sec.	09	30 Min.
03	60 Sec.	10	60 Min.
04	120 Sec.	11	120 Min.
06	5 Min.	14*	20 Hr.
07	10 Min.		

Sym.	Description
A5	120V, 50 Hz
A6	120V, 60 Hz
B5	240V, 50 Hz
B6	240V, 60 Hz

Sym.	Description
02	Timer only modified for mounting in NEMA VII explosion proof housing
07	Dial Lock

*Available in A6 version only

60 cycle units can be used for 50 cycle application; however, the motor will run at 5/6 speed